

VECTOR ELECTRIC STRIKES

A4300

Model with basic features.



The vector electric strike A4300 is convincing with its small size. It is perfect for door manufacturers, installation engineers and users due to its high processing and use comfort. Suitable for both new buildings and retro-fitting.

Product features

- Thanks to unique vector technology almost silent opening with direct current
- Radius latch 3 mm adjusting angle, in 0.75 mm raster
- Large operating voltage due to twin coil technology
- Connection to direct current, as well as integrated bipolar EMC protective diode
- Installation possible on left and right hand double-action doors as well as horizontal or vertical

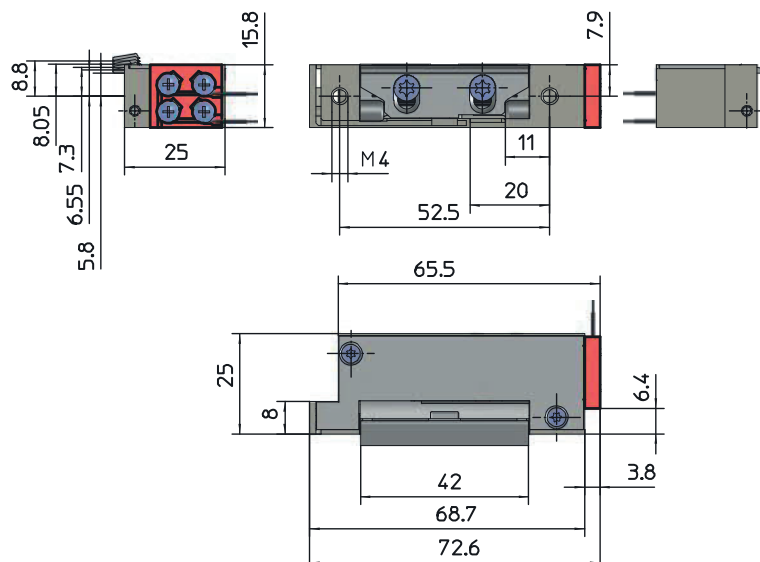
Technical data

Dimensions (H x D x W)	68.7 x 25.0 x 15.8 mm
Radius latch adjustable	3 mm
Latch engagement depth	4.5 mm
Max. holding force	5,000 N
DIN direction	left / right
Installation position	vertical / horizontal

Functions

Normal use	•
Approval for smoke protection doors	
Approval for fire protection doors	
Lock latch guide	
I.S.T.Kingfix	
Mechanical unlocking	
Monitoring contact	
Bipolar EMC protection diode integrated	•
Twin coil technology	•
Fail locked	
Fail unlocked	•

• = YES



A4300

Model with basic features.

A4300--B



Application	Current consumption	Continuous duty	Intermittent duty
Perfectly suited for use with swing door drives and doors with access control	A 200 mA (at 12 V) B 100 mA (at 24 V)	12 or 24 V DC ± 15%	12 - 48 V AC/DC

Suitable strike plates

SB-HZ U	SB-KL 130	SB-WI L	SB-WI R

Additional accessories

NT12-500	NT24-250

For more information, see chapters about strike plates and accessories.