

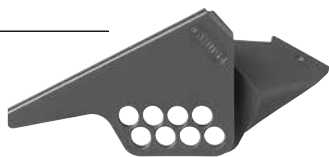
V423 / V426 | Metal Ball Valve Lockout User Manual



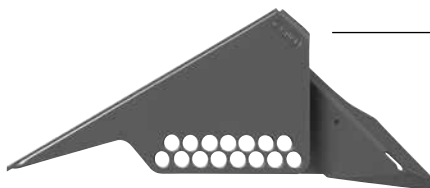
Security Tech Germany

Material Content:

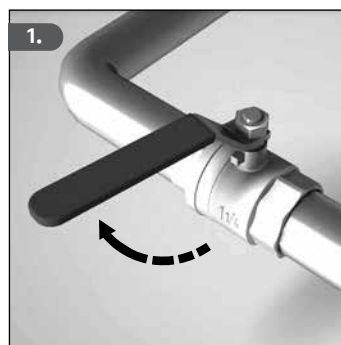
a. Metal Ball Valve Lockout small V423



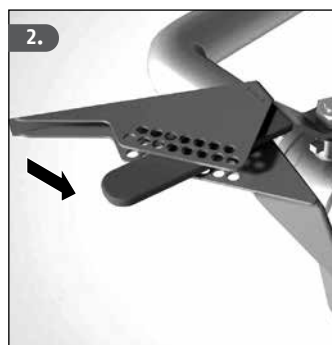
a. Metal Ball Valve Lockout large V426



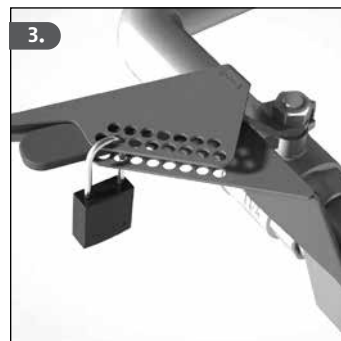
Application:



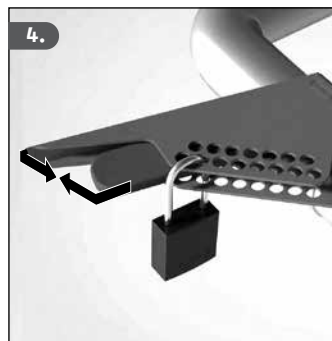
1. Turn the valve handle to the off position.



2. Align and slide the lockout device over the valve handle as far as possible.



3. Position lockout device tab over the angled portion of the valve handle.



4. Squeeze the lockout device and the valve handle together and insert a padlock through the hole that provides the tightest fit. Make sure tab is against valve handle and lower paddle is touching valve body or pipe.



Verify that the lockout device and valve handle cannot be manipulated to the "open" position. If the ball valve lockout and/or the valve handle can be moved, the device was not installed correctly or used with the appropriate size handle. It is then required to reapply the device. The given holes do not indicate the maximum number of locks that can be used for the lockout device. To get the "closest point," it is only possible to hook one lock. If several locks are needed, please use a safety hasp.



If the ABUS Ball Valve Lockout doesn't fit, please use ABUS Ball Valve Lockout Devices V442 or V448 as an alternative.



WARNING:



Product should only be used by personnel properly trained in lockout procedures. Product should only be used on the appropriate application (s). Follow product instructions for proper application of each product. Properly trained personnel should check to ensure that product is secure and equipment will not operate. Failure to follow product instructions and warnings may result in serious bodily injury or death.

You will find additional notes and corresponding application videos to every lockout device following the link:
<http://www.abus.com/eng/Service/Videos/Industrial-safety>