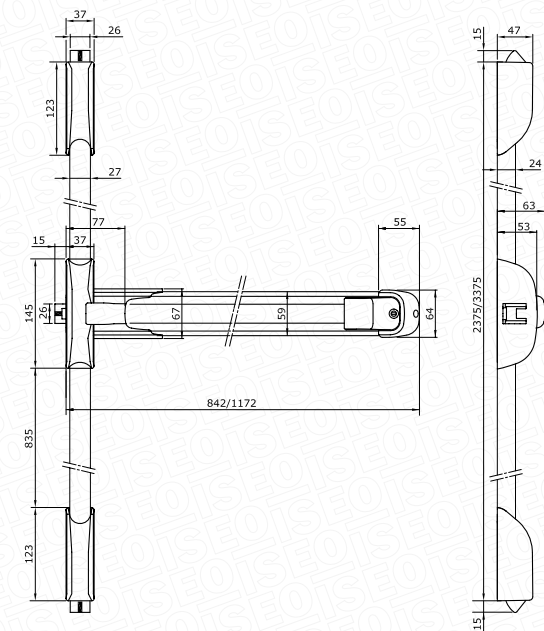
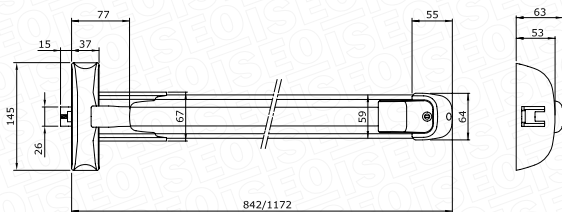




Push

RIM



PRODUCT:

Panic exit device (rim type).

APPLICATION:

Panic doors mounted on escape routes must ensure fast, safe opening. Iseo Push panic exit devices are designed in accordance with Standard UNI EN1125, and their extraordinary reliability, security and durability. When designing these devices, aesthetics played a leading role. The innovative rounded contours are one of the hallmarks of the Push range, enhanced by the integrated operating bar with limited protrusion. Particularly suitable for installation on glass doors and low profile metal doors. Iseo Push guarantees easy installation, modularity, versatility, and a high level of security. In keeping with its attention to safety, ISEO has decided to add an ANTIGERM treatment to its products. The effect of this antibacterial treatment is permanent, and does not require any special maintenance. The continuous release of silver ions guarantees constant effectiveness throughout the working life of the product, even if the surface is scratched. This makes it particularly suitable for installation in public places and in any other areas where hygiene and healthcare are a basic necessity: hospitals, clinics and nursing homes, as well as crèches and pre-school structures.

RANGE:

- Fire resistant versions with self-locking steel latchbolts



TECHNICAL FEATURES

Durability:

500,000 cycles

Door mass:

over 200 kg.

Door dimensions:

- maximum width up to 1500mm
- maximum height up to 3400mm

Fire resistant versions

Resistance to corrosion:

240 hours in a saline environment

Bar protrusion:

less than 100mm

Lengths available:

840/1170/1300mm

Can be shortened by up to 330mm

Operating temperature:

Tested at temperatures from -25°C to +60°C.

Colours available:

black, white, metal grey, ENDUR4NCE

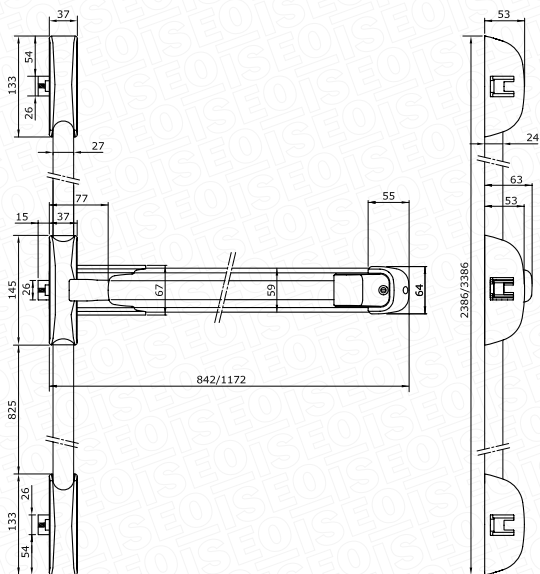
Anti-bacterial protection:

AntiGerm on the painted versions



Push

RIM



HIGHLIGHTS

- Certified: EC marking in accordance with Regulation 305/2011 EC (CPR); UKCA Marking in accordance with Regulation 465/2019 UK.
- Practicality: the handle is integrated in the cover, making it easier to grip when closing the door.
- Hold-open device fitted as standard in the push bar.
- Modularity: wide range of accessories.
- Reversibility: possibility of both right-hand and left-hand configuration.
- Adaptability: all the devices can be shortened by up to 330mm for every type of frame and configuration (aluminium, PVC, wood, etc.).
- Thanks to the BELVEDERE kit, they can even be installed on glass doors.
- Configurable: installation on both single and double leaf doors.
- Reliability: the entire range has been tested using the parameters laid down in the Standard UNI EN1125 (up to 500,000 cycles).
- Easy installation: three different fastening possibilities, depending on the frame.
- Quick installation: equipped with an automatic spring-action rod attachment system, with no need for screws.
- Fastening sub-plates are available to speed up installation on the construction site.
- Finishes: black, metal grey, white, ENDUR4NCE, with ANTIGERM antibacterial treatment.
- Controllable: thanks to the external Trim-Tronic control, Electric strike plates or micro-switch.



MATCHING ACCESSORIES:

- External Trim and Trim-Tronic controls
- Electric strike plates
- Micro-switches
- Special strike plates for PVC and aluminium
- SIRENA acoustic alarm device kit
- Belvedere kit for installation on glass doors
- Retrofit plates

STANDARDS:

EC marking in accordance with Regulation 305/2011 EC (CPR).

UKCA marking in accordance with Regulation 465/2019 UK.

Certified functional testing results: from -25°C to +60°C.

Certified functional testing results: up to 500,000 cycles.

Certified corrosion-resistance of finish of up to 1600 hours for ENDUR4NCE version.

EN1125:2008

Classification |3|7|7|A|1|4|2|2|B|A| for non fire resistant devices

Classification |3|7|7|B|1|4|2|2|B|A| for fire resistant devices