

Push-Palmo



PRODUCT:

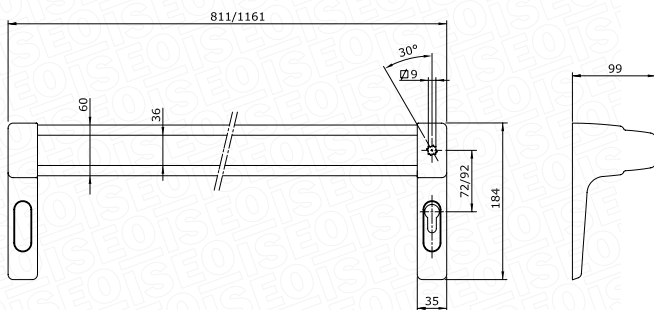
Mortise installation exit bar for panic exit locks.

APPLICATION:

The drive mechanism of the Push Palmo mortise lock for fire doors, when used together with the relative locks and accessories, is designed to comply with the standard EN1125 and offers excellent reliability, security and durability. In keeping with its attention to safety, ISEO has decided to add an ANTIGERM treatment to its products. The effect of this antibacterial treatment is permanent, and does not require any special maintenance. The continuous release of silver ions guarantees constant effectiveness throughout the working life of the product, even if the surface is scratched. This makes it particularly suitable for installation in public places and in any other areas where hygiene and healthcare are a basic necessity: hospitals, clinics and nursing homes, as well as crèches and pre-school structures.

RANGE:

A wide variety of accessories for a anti-panic and fire doors is available.



ISEO®

TECHNICAL FEATURES

Usable together with mortise panic exit/fire door locks and counter-locks with 9 mm square spindle size, with 72 mm centre size and 30° square spindle rotation angle.

Can be combined with locks and panic fire-resistant mortise counter-locks with 9 mm handle set, 72 mm centres and 30° handle set rotation.

Durability: 200,000 cycles

Door mass: up to 200kg

Door dimensions:

- maximum width up to 1500 mm.
- maximum height up to 3400 mm.

Resistance to corrosion:

240 hours in a saline environment

Bar protrusion: less than 100 mm

Lengths available: 811/1161 mm may be shortened by up to 330 mm.

Operating temperature:

from -10°C to +60°C.

Colours available: black with red bar.

Anti-bacterial protection:

AntiGerm on painted versions.



www.iseo.com

HIGHLIGHTS:

- Certified: CE marking in accordance with Regulation 305/2011 EC (CPR).
UKCA Marking in accordance with Regulation 465/2019 UK.
- Fast, easy installation.
- Reversibility: possibility of both right-hand and left-hand configuration.
- Adaptable: may be used together with all Iseo panic exit and fire door locks and counter-locks and DINFIR3 series panic locks.
- All the devices can be shortened down to 330 mm.
- Configurable: installation on both single and double leaf doors.
- Reliability: the entire range has been tested using the parameters laid down in the Standard UNI EN1125 (200,000 cycles).
- Finishes: black with red bar, with ANTIGERM antibacterial treatment.
- Controllable with the Aries electronic handle plate, with electric panic exit/fire door locks or with microswitches.

MATCHING ACCESSORIES

- Aries electronic handle plate
- 0324* and 0325* series handle plates
- Locks series 212*, 214*, 2149* and related accessories
- DINFIR3 panic locks series 2D7*, 2DB*, 2DC*, 2DD*, 2DE* and accessories
- Square spindle 9479*
- Microswitch 94400030

STANDARDS:

CE marking in accordance with Regulation 305/2011 EC (CPR), when used in combination with Iseo locks and accessories.

UKCA marking in accordance with Regulation 465/2019 UK in combination with Iseo locks and accessories.

EN1125:2008

Classification |3|7|7|B|1|4|2|2|B|A| in combination with locks series 212*, 214*, 2149*

EN1125:2008

Classification |3|7|7|B|1|4|2|2|B|A| in combination with DINFIR3 panic locks series 2D7*, 2DB*, 2DC*, 2DD*, 2DE*