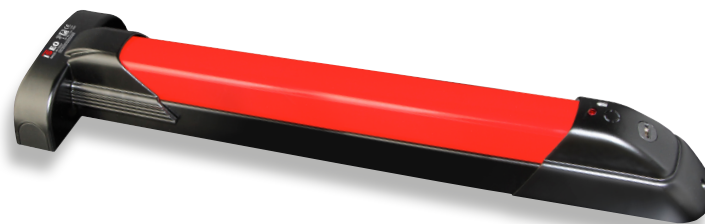


Push SIRENA



PRODUCT

Panic device to be applied with control system for emergency exits.

OPERATION

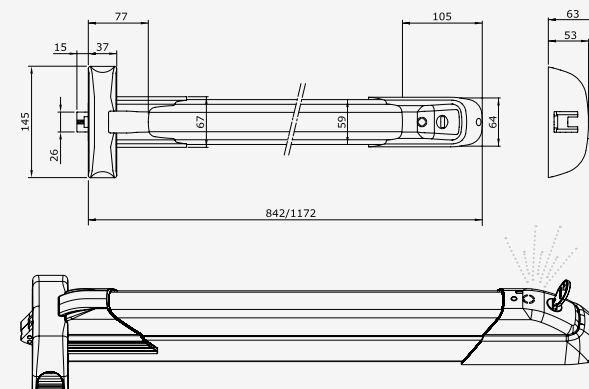
Escape routes represent a guarantee for people's safety in case of fire or emergency. Yet, they are always critical points for the security of the buildings and the goods they contain. As a matter of fact, if not adequately monitored, they become the ideal way for intruders to walk in and out. Push Sirena is the answer to these problems: no need of complex and expensive alarm systems on your door.

KEY POINTS

- Push Sirena is installed as a traditional panic exit device but has an acoustic alarm: when it is activated, it immediately detects any unauthorized opening of the escape route door. Therefore, it represents the ideal solution for shops, small warehouses and all places where escape routes need constant monitoring.
- Push Sirena is available both as complete panic exit device and as independent device for retrofitting on ISEO panic exit devices of the PUSH series.
- In both cases installation is extremely easy and quick and does not require any special tool or knowledge.
- No wiring in the door is needed since the device is battery-operated.
- Certified, CE Marking in accordance with Regulation (EU) no. 305/2011 (CPR).
- UKCA marking in accordance with Regulation 465/2019 UK.
- Modularity: wide range of accessories.
- Practicality: the handle is integrated in the cover, making it easier to grip when closing the door.
- Reversibility: possibility of both right-hand and left-hand configuration
- Adaptability to any type of frame and configuration (aluminium, PVC, wood, etc.).

TECHNICAL CHARACTERISTICS

- Durability: 500,000 cycles
- Door mass: over 200 kg.
- Door dimensions:
 - maximum width up to 1500 mm
 - maximum height up to 3400 mm
- Fire barrier version
- Corrosion resistant: 240 hours in a saline environment
- Bar protrusion: less than 100 mm
- Lengths available: 840/1170 mm
- Operating temperature: Tested at temperatures from -25°C to +60°C
- Colours available: black, metal grey
- Anti-bacterial protection:
 - AntiGerm on the painted versions
 - Powered by 2 AA alkaline batteries 1.5V.
- Batteries lifetime over 2 years without alarm
- 3-level battery charge indicator
- Acoustic signal over 90db.
- Functions selector compatible with half European profile cylinders (size 30+10) with 8-position DIN cam.



Push SIRENA

- Using the BELVEDERE kit, they can even be installed on glass doors.
- Configurable: installation on both single and double leaf doors.
- Reliability: the entire range has been tested according to the parameters required by the EN1125 standard, up to 500,000 cycles.
- Easy installation: three different fastening possibilities, depending on the frame.
- Quick installation: equipped with an automatic spring-action rod attachment system, with no need for screws.
- Finishes: black, metal grey, with ANTIGERM antibacterial treatment.
- Controllable: via the external Trim-tronic control, electric strike plates and micro-switches.

MAIN FUNCTIONS

Courtesy function allowing exit without alarm.

Alarm reset by key only.

Acoustic and LED signals showing the device and battery status.

Powered by batteries.

3-level battery charge indicator allowing scheduled replacement.

Device status:

OFF: the bar can be pressed without triggering the alarm.

ON: the alarm, both acoustic and visual, comes into operation when the bar is pressed.

Break or courtesy function: a temporary status (5 sec.) within the ON status allowing exit without triggering the alarm.

Ongoing alarm: when the alarm is ON and the bar is pressed, the device emits a strong acoustic signal and a red LED flashes.

STANDARDS

- EC marking in accordance with EC Regulation 305/2011 (CPR).
- UKCA marking in accordance with Regulation 465/2019 UK.
- Certified functional testing results: from -25°C to +60°C.
- Certified functional testing results: up to 500,000 cycles.

EN1125:2008

- Classification | 3 | 7 | 7 | B | 1 | 1 | 4 | 2 | 2 | B | A | I
for fire-resistant devices.

MATCHING ACCESSORIES

- External Trim and Trim-Tronic controls
- Electric strike plates
- Special strike plates for PVC and aluminium
- Belvedere kit for installation on glass doors
- Hole-masking plates

