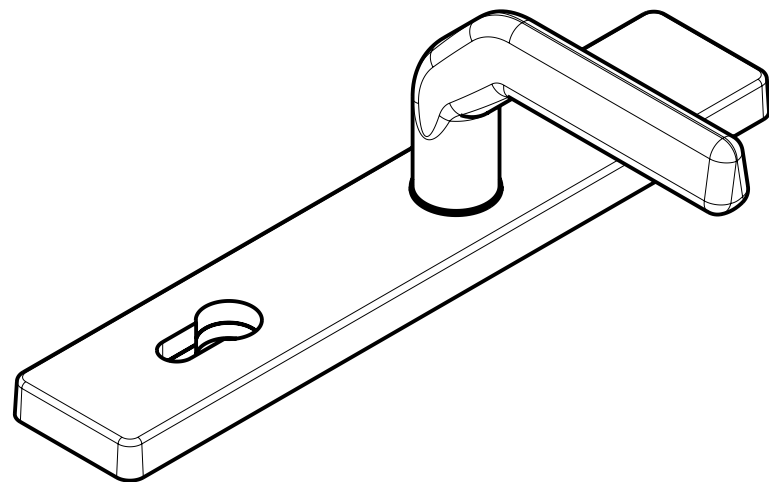
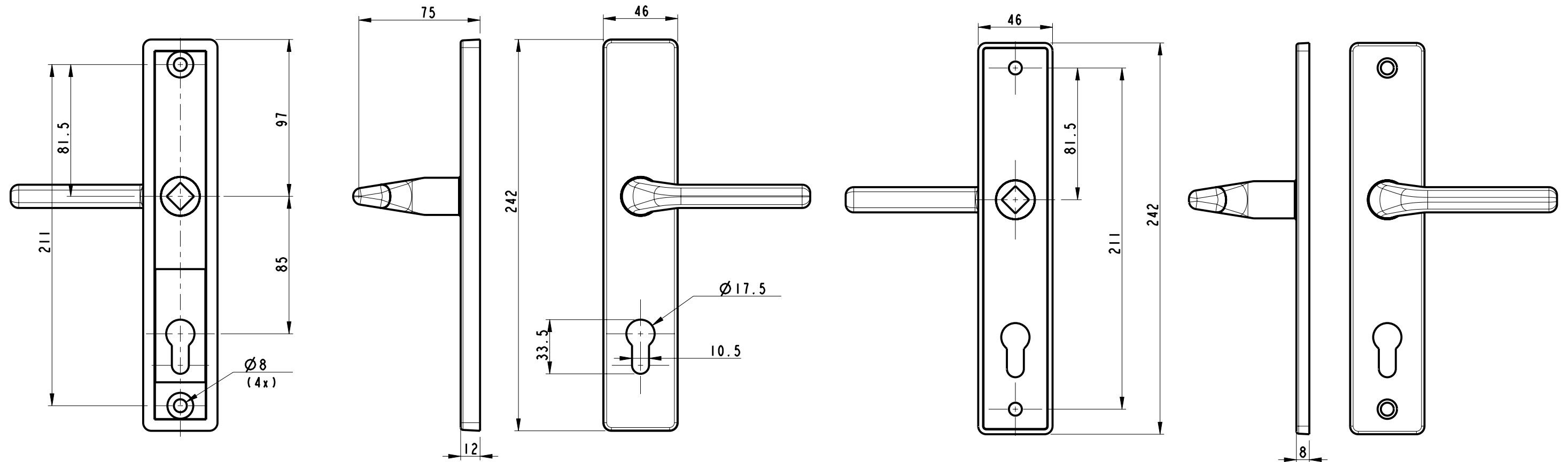


FRONT COVER PLATE

BACK COVER PLATE



SCALE 0.500

Dimensions w/o tol. indication			MATERIAL			
±0,25	±f		Dim. acc. to DIN:	Mat. type DIN 1353 04-1971	Stock material mm	Material
According to requirements of PDP_DESI.IN05.00		STRICTLY PRIVATE		Thickness 8 and 12	aluminium	
Surface treatment			Description AL 1351-HB 85mm			
Finishing type			Drawing number	AL1351-B-85	REV: +	RL:
Finishing class	20					
Max. burr height	10/100	Weight	0.395 kg			
Burr side	XX	Creation date	07/07/08	Name	Pascal Baesel	Sheet 1/1
D--/P--/A--/F--						