

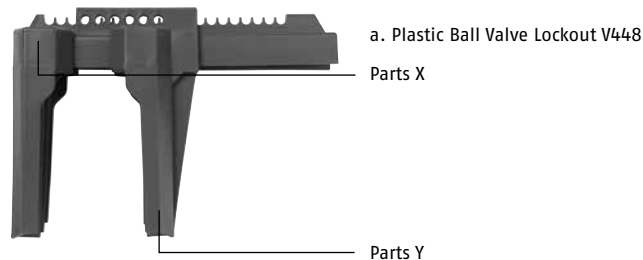
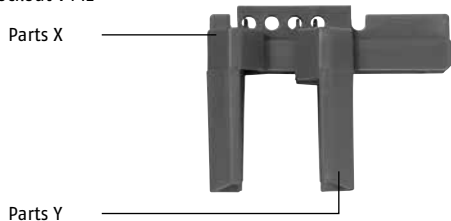
# V442/V448 | Plastic Ball Valve Lockout User Manual



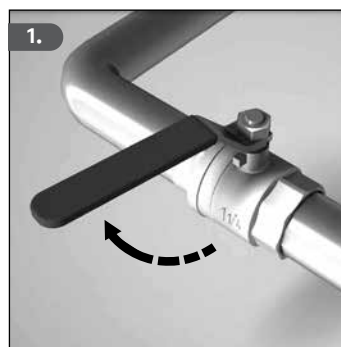
Security Tech Germany

## Material Content:

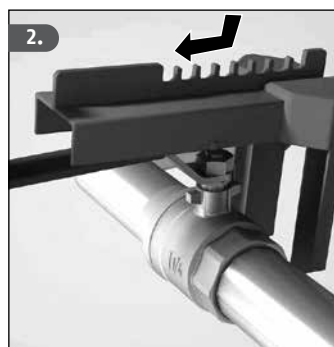
a. Plastic Ball Valve Lockout V442



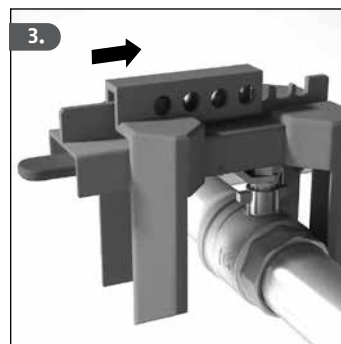
## Application:



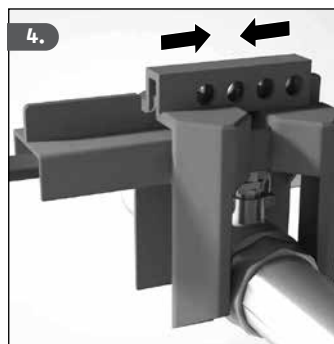
1. Turn the valve handle to the off position.



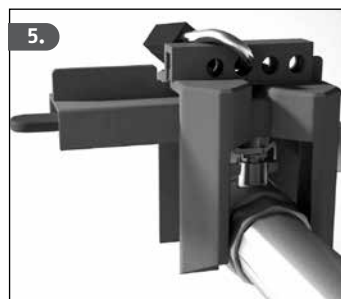
2. Attach part X from above to the valve handle so that the lock tightly encloses the valve body and the valve handle.



3. Slide part Y on to part X to connect the two halves of the ball valve lock. The valve handle must be enclosed above, below and at the sides in this case.



4. Press the two halves together until the valve is tightly enclosed.



5. Insert a padlock through the hole which allows the closest fit.

6. Make sure that the valve handle is tightly enclosed and can no longer be moved.



Part X is equipped internally with a height limit for standard valve handles. If your valve handle is thicker, you can remove this height limit at four predetermined breaking points using a screwdriver.

## WARNING:



Product should only be used by personnel properly trained in lockout procedures. Product should only be used on the appropriate application (s). Follow product instructions for proper application of each product. Properly trained personnel should check to ensure that product is secure and equipment will not operate. Failure to follow product instructions and warnings may result in serious bodily injury or death.

You will find additional notes and corresponding application videos to every lockout device following the link:  
<http://www.abus.com/eng/Service/Videos/Industrial-safety>